

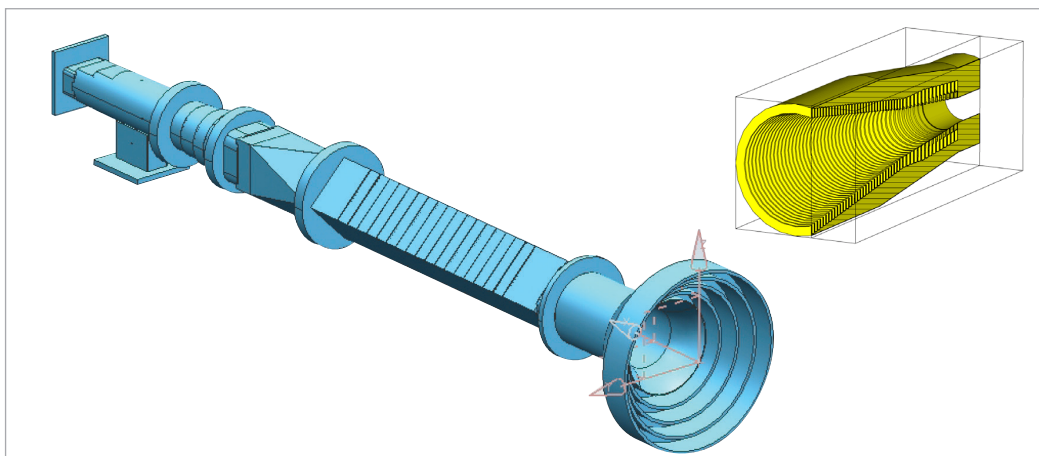
Feed Systems (Feed Horn, Coupler, Monopulse Coupler)

Feed Systems

HGA introduces the feed systems for high performance antenna systems at L/S/C/X/Ka/Ku-band.

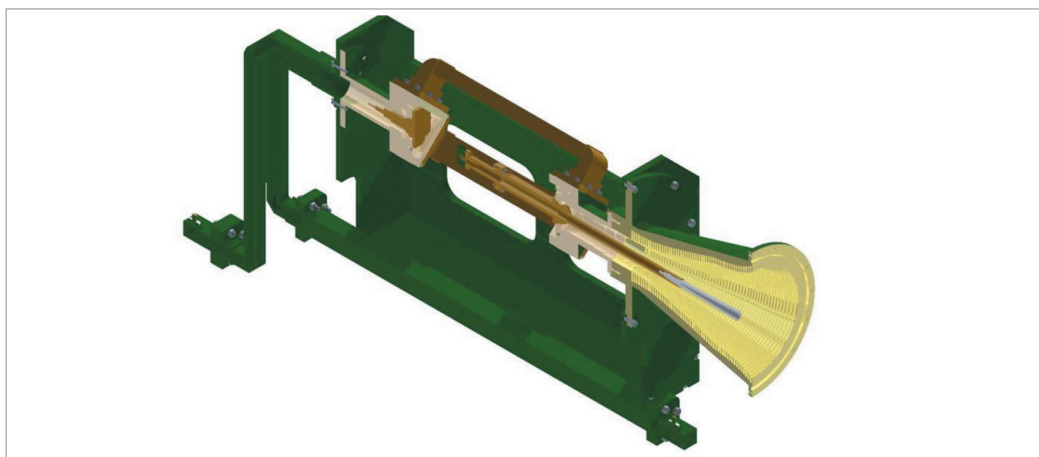
Corrugated Feed Horn

HGA corrugated feed horn provides Tx & Rx broad band characteristics and the improved vertical and horizontal or right- and left-handed circular polarization characteristics.



Multi-Band Feed Horn

HGA multi-band feed systems are available for receiving C&Ku, C•X&Ku, L•S&Ka S•X&Ku-band simultaneously.



Feed Systems (Feed Horn, Coupler, Monopulse Coupler)

Monopulse Mode Coupler

A monopulse mode coupler is used to track the satellite precisely and quickly.

This monopulse mode coupler functions are as below;

- Forming and detecting TE₂₁ mode.
- Detecting horizontal with null on axis and radiation pattern
- Transmitting tolerance angle at radiation pattern by tracking receiver.

